

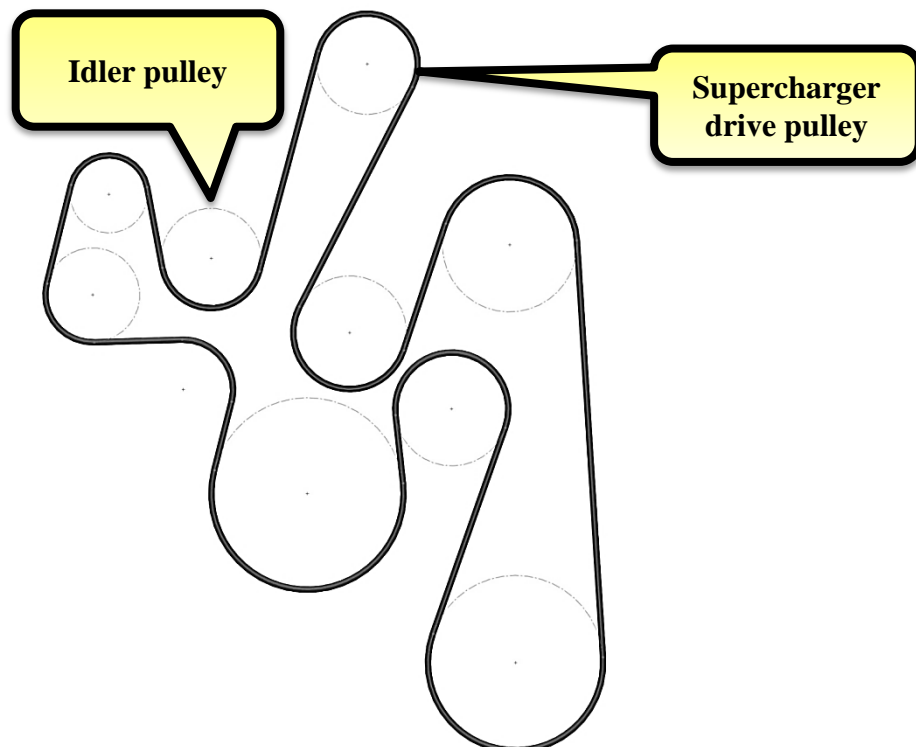
Toyota 86 / Subaru BRZ / Scion FR-S, Idler pulley alignment**SUMMARY:**

To prevent premature wearing of the supercharger drive belt, the idler pulley mount requires an additional bearing shim to be added to the idler pulley mount, prior to attaching the idler pulley to the idler pulley mount, to improve pulley alignment.

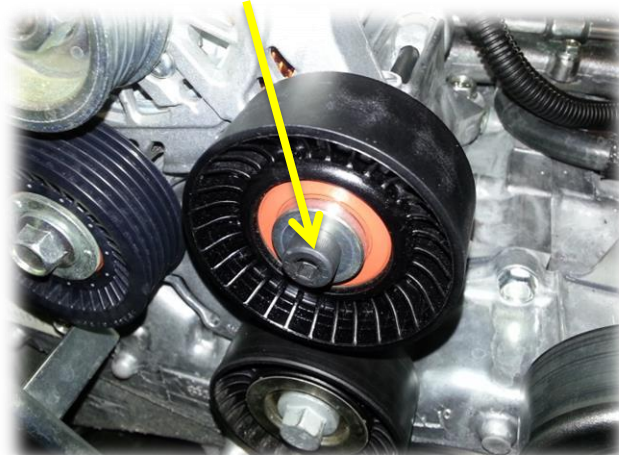
If the vehicle is already fitted with the supercharger system, the idler pulley will have to be removed via the steps stated below,

Step 1:

- Relieve the tension from the drive belt by releasing the dynamic tensioner. (see step 44 of the installation manual for instructions) (Installation manual No. 260_5D1000 Rev. 1.1)
- With the tensioner relieved remove the belt from the supercharger drive pulley and idler pulley.



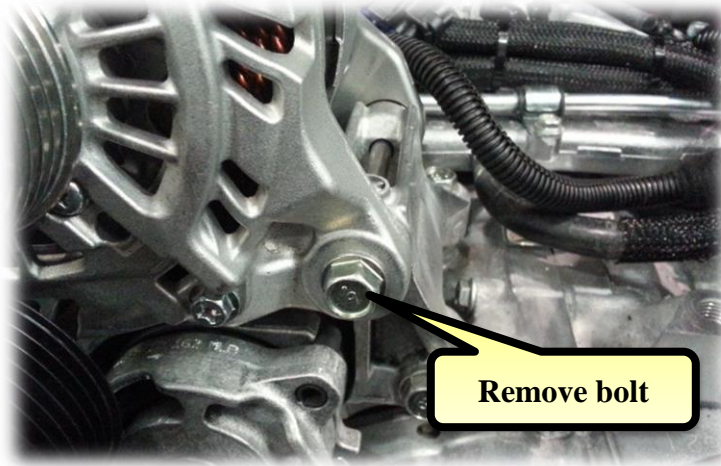
- Remove idler pulley and mount from the vehicle via the M8 x 170mm long bolt.
- Remove the idler pulley from the mount.



Step 2:

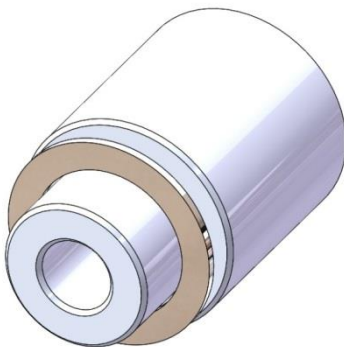
(Please note that the following steps replace step 26 of the installation manual 260_5D1000 Rev. 1.1)

- For new installations, remove the bolt from the alternator mount.

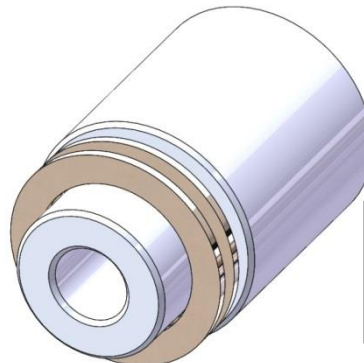


- Attach the bearing shim to the idler pulley mount.
- **NOTE:** Systems equipped with an Ø80mm or larger supercharger drive pulley requires the Ø60mm idler pulley to be fitted with a bearing shim. Systems equipped with an Ø75mm or smaller supercharger drive pulley, require the Ø70mm idler pulley to be fitted. If the Ø70mm idler pulley is to be fitted, it requires two bearing shims to be installed on the pulley mount behind the bearing.

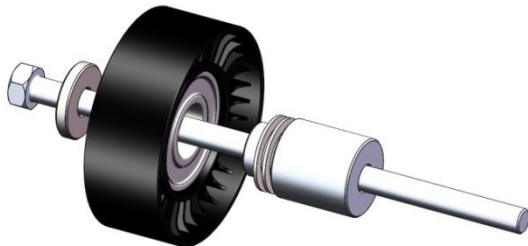
Ø60mm idler pulley, requires 1 bearing shim



Ø70mm idler pulley, requires 2 bearing shims



- Attach the supplied idler pulley mount, shim/s, idler pulley, M8 x 170 bolt and retaining washer to the alternator. Tighten to 23Nm.



Step 3:

- Re-attach the supercharger drive belt as per Step 33 of the installation manual.